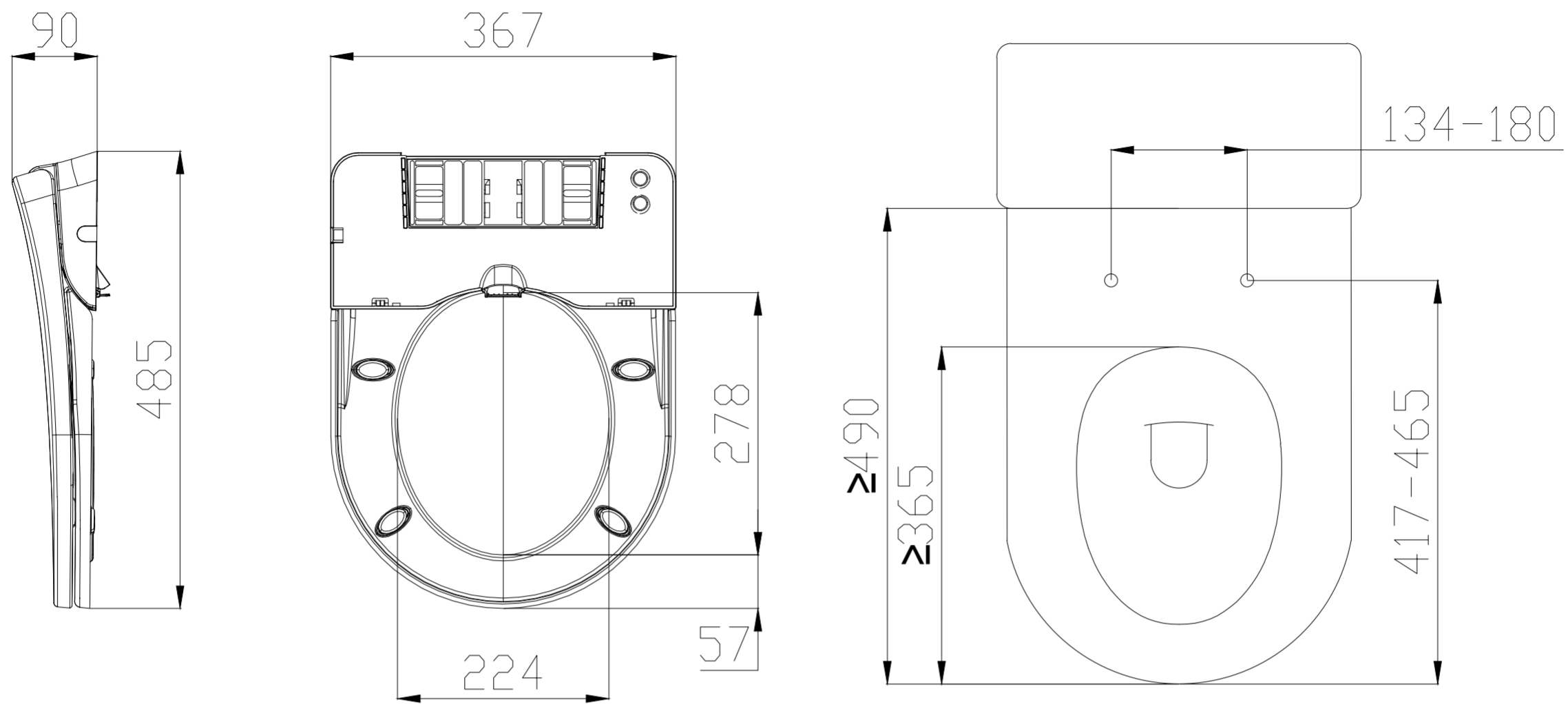


D shape model



O shape model

