

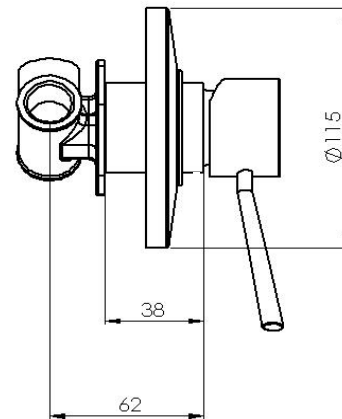
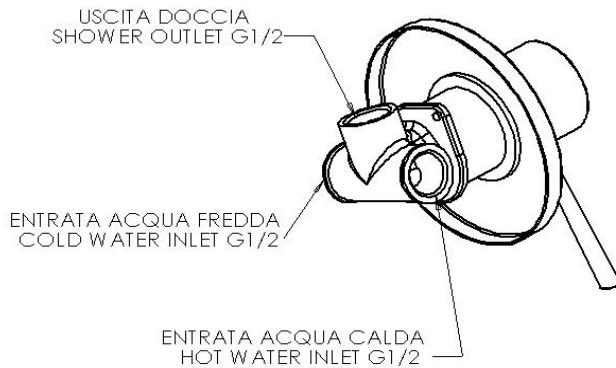
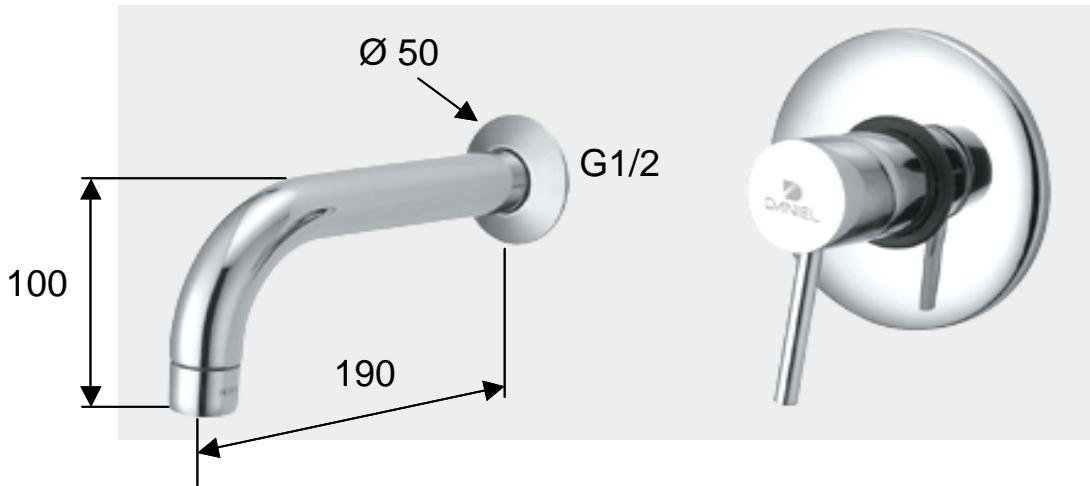


DANIEL

SCHEDA TECNICA TECHNICAL FEATURES

ART. COD.

S 20622



pressione / pressure	1	2	3	4	5	bar
flusso max / max flow	14	16	18	20	22	l/min

MATERIALI / MATERIALS

OTTONE CROMATO / CHROME PLATED BRASS

CROMATURA / CHROME PLATING

UNI EN 248

Via Leonardo da Vinci 53 20062 Cassano d'Adda (MI) Italy Tel. +39-0363 62651
info@daniel.it www.daniel.it