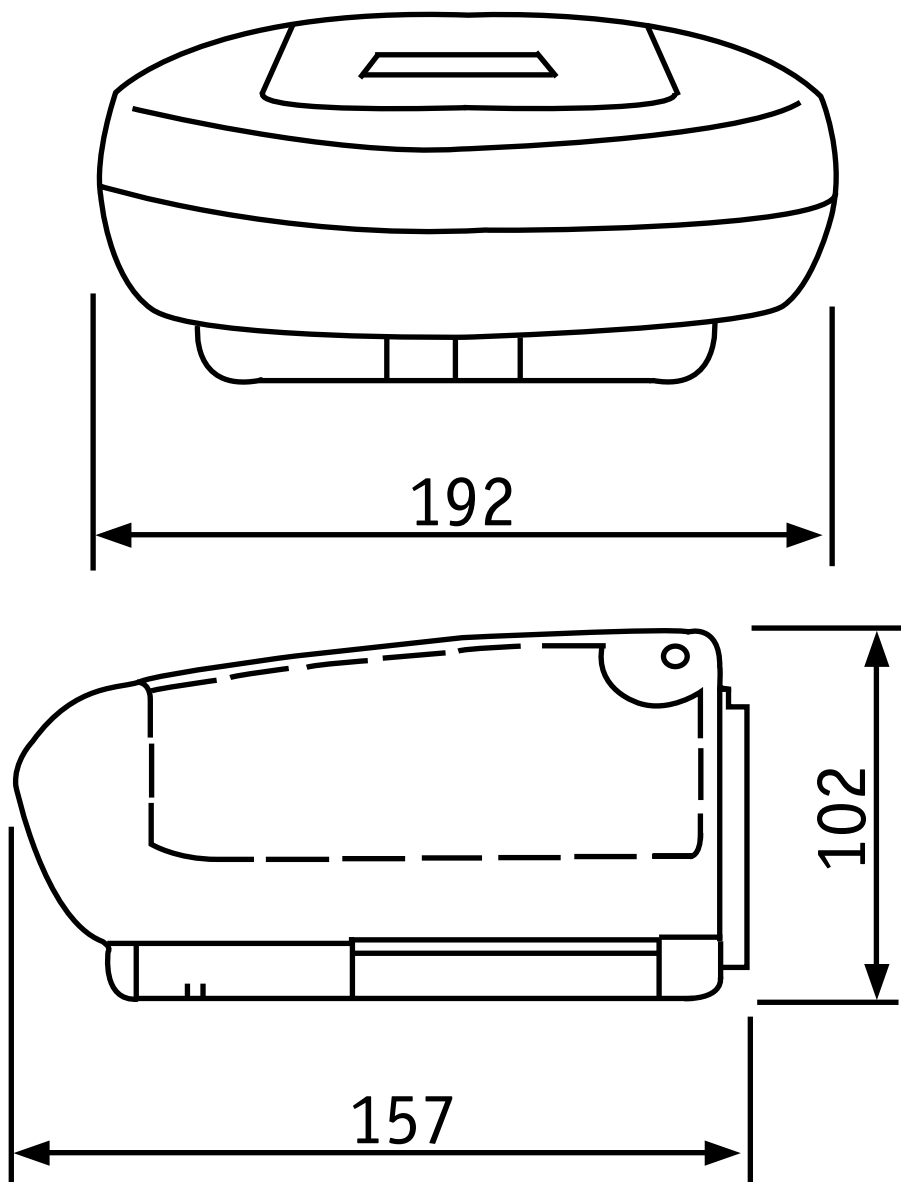


ART. COD. SE 70



MATERIALI / MATERIALS

CORPO / BODY OTTONE / BRASS

CROMATURA / CHROME PLATING

UNI EN 248