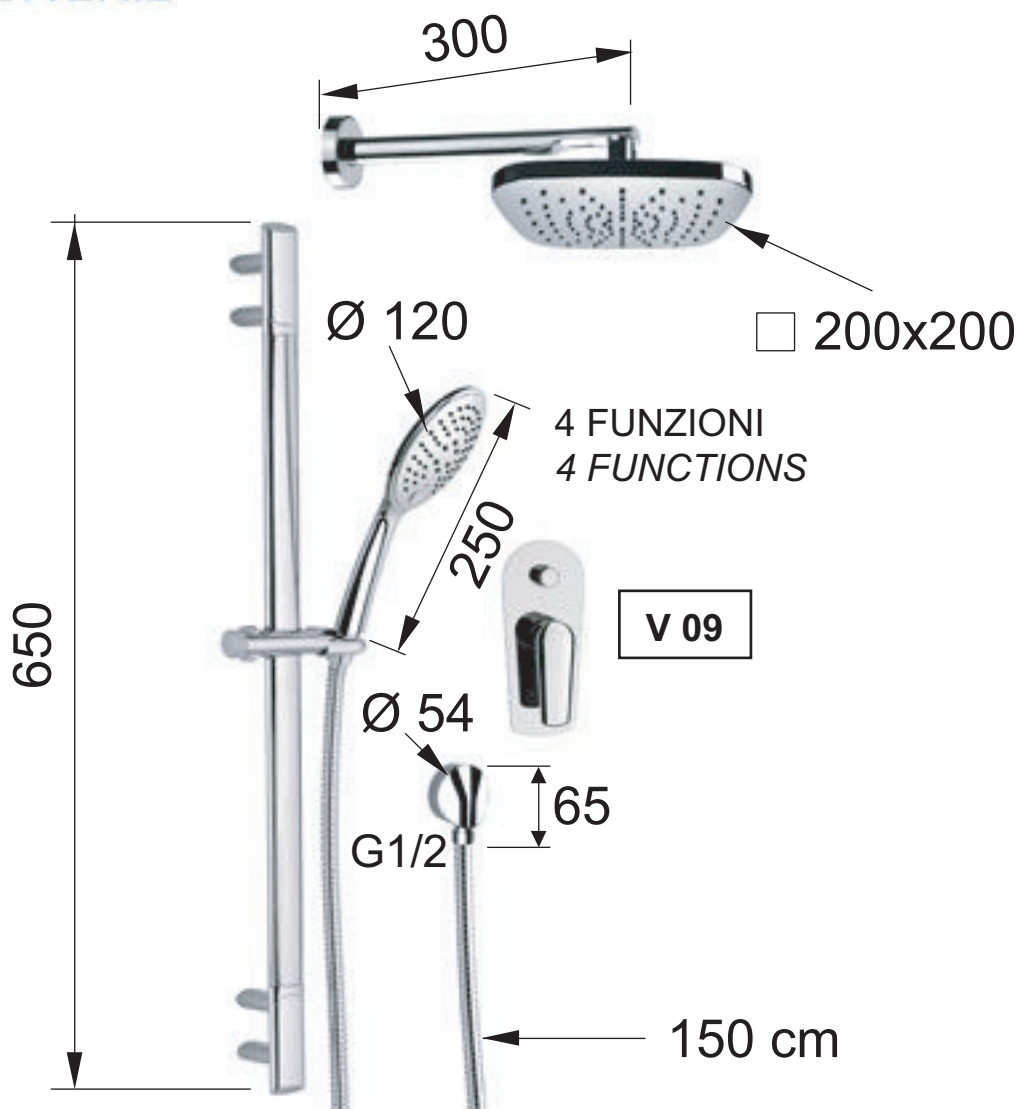


ART. COD.

V 09 S01



MATERIALI / MATERIALS

OTTONE CROMATO / CHROME PLATED BRASS

ABS CROMATO / CHROME PLATED ABS

CROMATURA / CHROME PLATING

UNI EN 248