

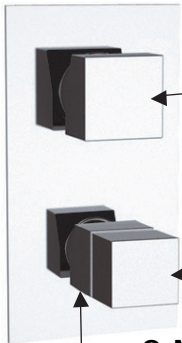


DANIEL

SCHEDA TECNICA TECHNICAL FEATURES

ART. COD.

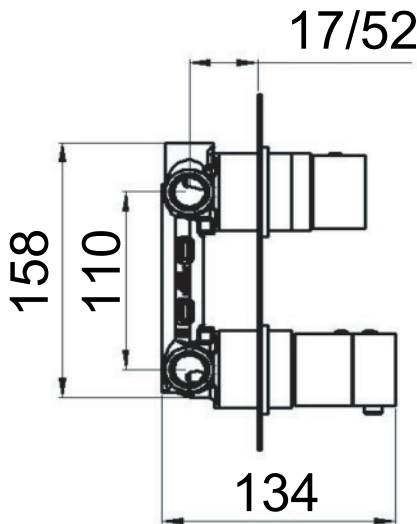
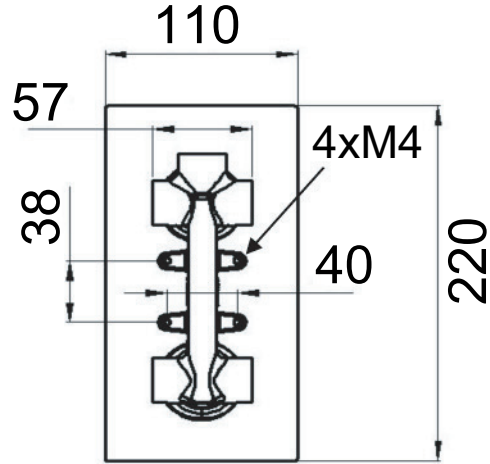
SKT612D7



DEVIATORE
A 3 VIE E 7 POSIZIONI
3-OTLETS AND
7-POSITIONS
DIVERTER

MANIGLIA TERMO
THERMO HANDLE

2 MANIGLIE COASSIALI
2 COAXIAL HANDLES
ON/OFF + T 38°C STOP



P. MIN = 3 bar

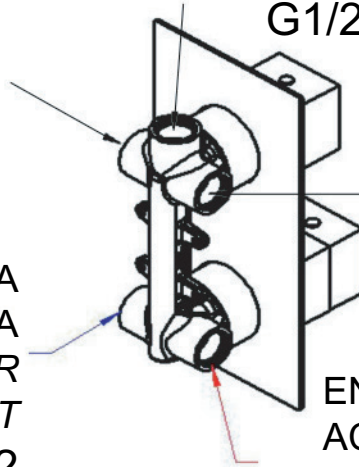
USCITA 3
SOFFIONE
OUTLET 3
SHOWER
HEAD
G1/2

USCITA 1 GETTI
OUTLET 1 JETS
G1/2

USCITA 2
FLESSIBILE
OUTLET 2
FLEXIBLE
HOSE
G1/2

ENTRATA
ACQUA FREDDA
COLD WATER
INLET
G1/2

ENTRATA
ACQUA CALDA
HOT WATER
INLET
G1/2



MATERIALI / MATERIALS

OTTONE CROMATO / CHROME PLATED BRASS

CROMATURA / CHROME PLATING

UNI EN 248