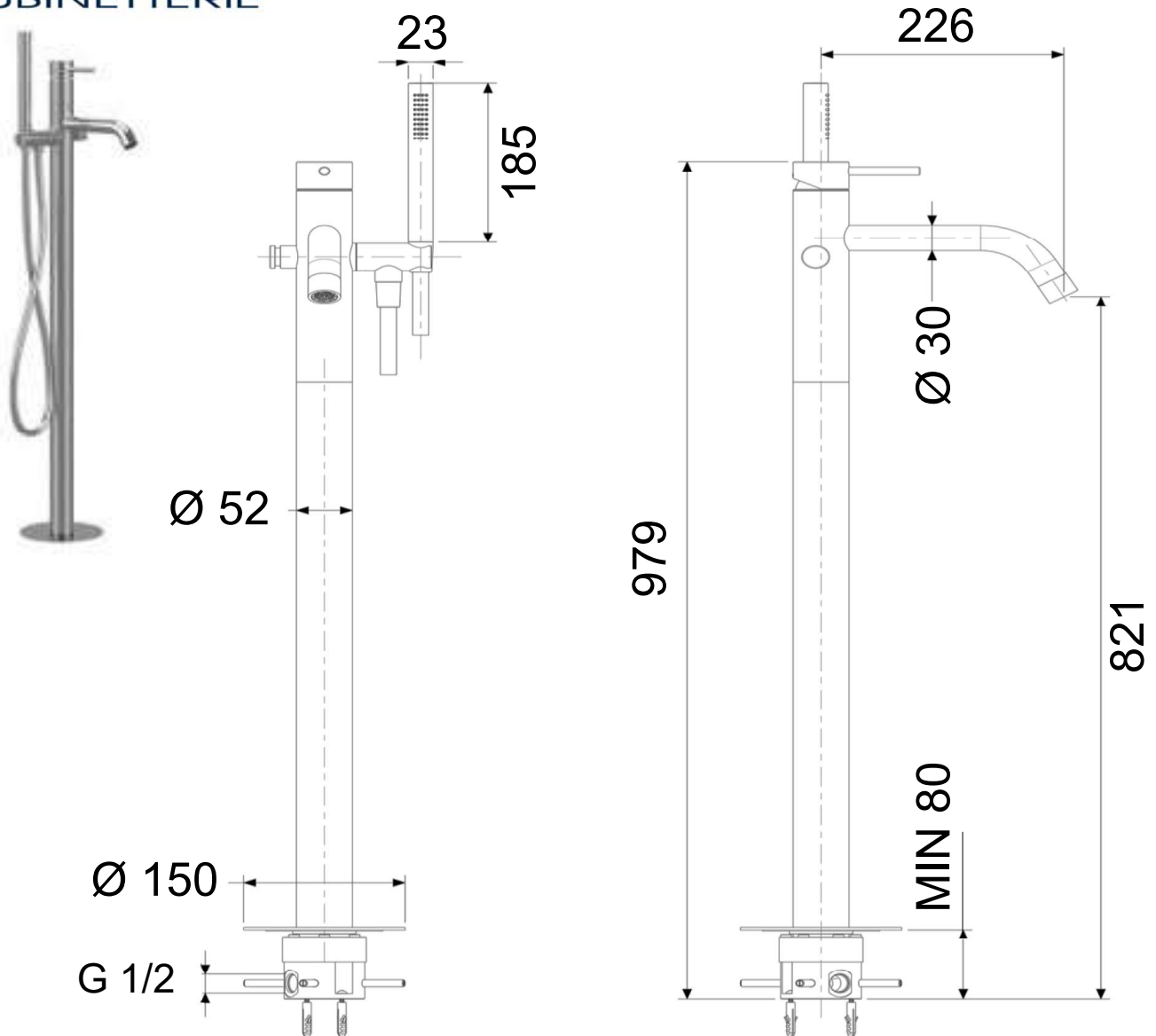


ART. COD.

SS X 08



MATERIALI / MATERIALS

ACCIAIO INOX 316L / STAINLESS STEEL 316L