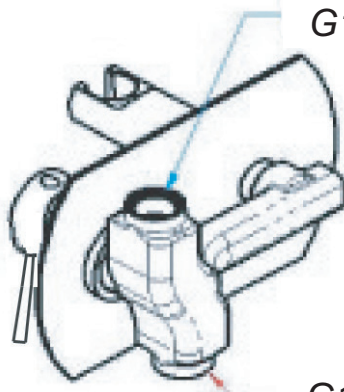


ART. COD.

X 60 W

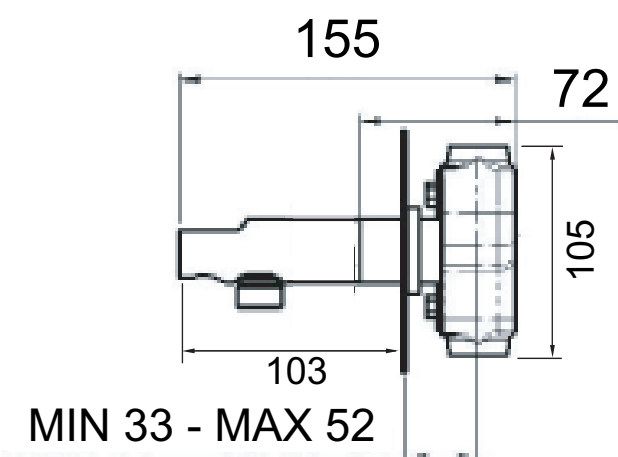
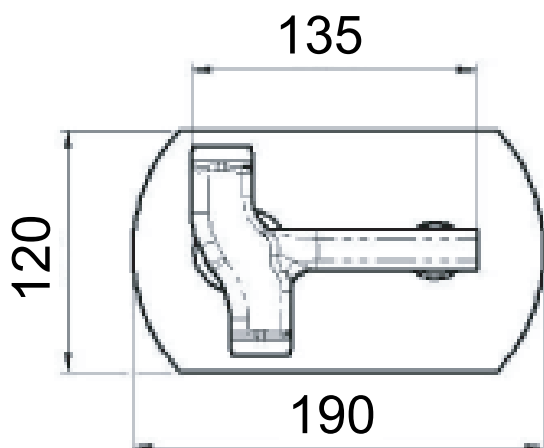


150 cm



G1/2 ACQUA FREDDA
G1/2 COLD WATER

G1/2 ACQUA CALDA
G1/2 HOT WATER



MATERIALI / MATERIALS

OTTONE CROMATO / CHROME PLATED BRASS

CROMATURA / CHROME PLATING

UNI EN 248

Via Leonardo da Vinci 83 - 20062 Cassano d'Adda (MI) Italy - Tel. +39-0363 364211

info@remer.eu www.remer.eu