

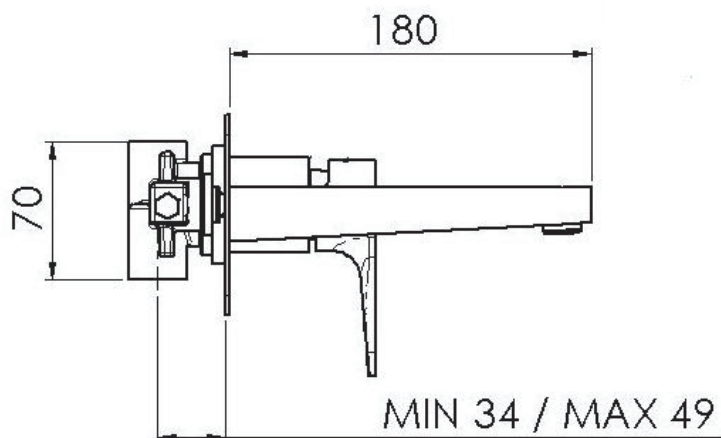


**SCHEDA TECNICA**

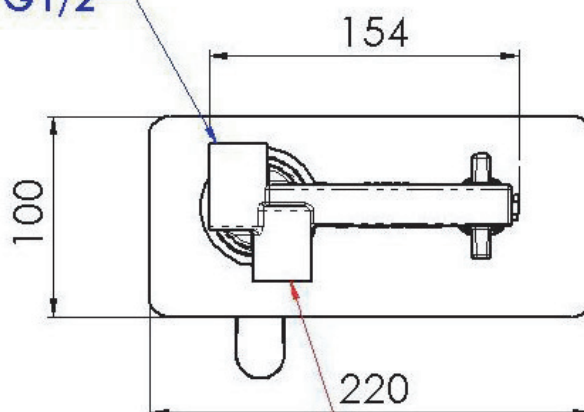
**TECHNICAL FEATURES**

ART. COD.

**W 15**



**ACQUA FREDDA  
COLD WATER G1/2**



**ACQUA CALDA  
HOT WATER G1/2**

**MATERIALI / MATERIALS**

**OTTONE CROMATO / CHROME PLATED BRASS**

**CROMATURA / CHROME PLATING**

**UNI EN 248**

Via Leonardo da Vinci 83 - 20062 Cassano d'Adda (MI) Italy - Tel. +39-0363 364211

[info@remer.eu](mailto:info@remer.eu) [www.remer.eu](http://www.remer.eu)