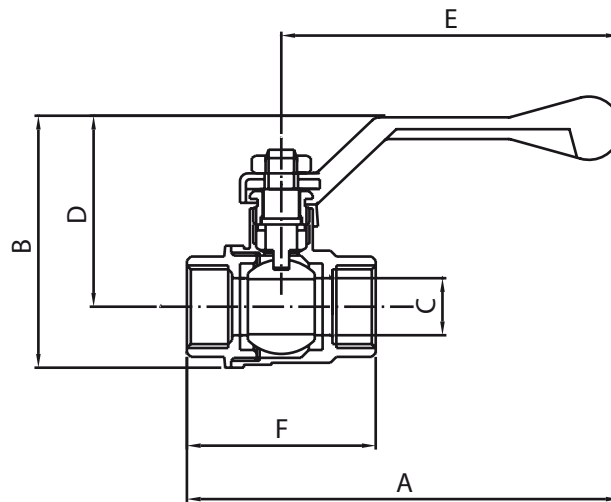


ART. COD. 371



	A	B	C	D	E	F	G
3/8"	96	50	10	38	76	40	
1/2"	110	57	14	42	85	48	
3/4"	113	66	19	50	85	56	
1"	130	75	24	52	98	65	
1" 1/4	155	90	31	68	115	78	
1" 1/2	178	110	39	80	130	95	
2"	183	123	50	85	132	102	
2" 1/2	296	170	60	110	225	136	
3"	305	180	70	120	230	150	
4"	320	205	90	135	230	190	

COMPONENTI	COMPONENTS	MATERIALI - MATERIALS
① Corpo	① Body	UNI EN 12165 CW617N
② Manicotto	② End connection	UNI EN 12165 CW617N
③ Sfera	③ Ball	UNI EN 12165 CW617N
④ Sedi tenuta sfera	④ Ball seal	P.T.F.E.
⑤ Asta	⑤ Stem	UNI EN 12164 CW614N
⑥ Guarnizioni tenuta asta e rondella antifrizione	⑥ Stem packing and antifriction ring	P.T.F.E.
⑦ Leva alluminio Farfalla alluminio	⑦ Alu handle Butterfly handle	AL fire painted AL fire painted
⑧ Dado	⑧ Nut	Chrome plated Brass