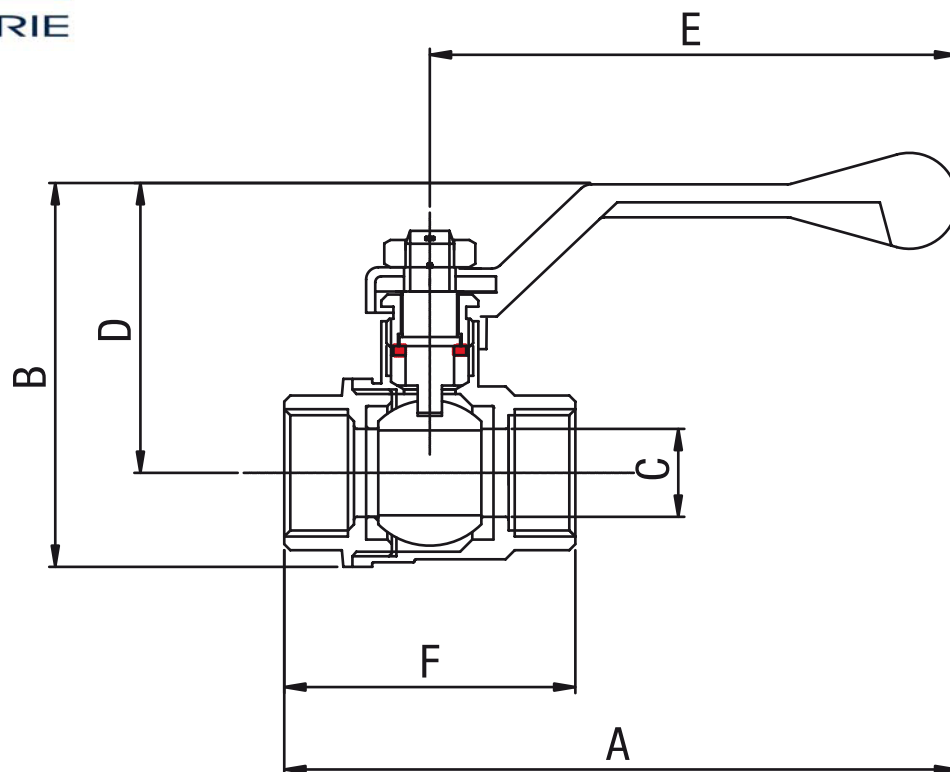


ART. COD. 371 MM



	A	B	C	D	E	F	G
<b>1/2"</b>	118	61	14,5	46	46	86	60,5
<b>3/4"</b>	121	63	18,5	46	46	86	68,5
<b>1"</b>	138	72,5	23,5	51,5	51,5	98	78

COMPONENTI	COMPONENTS	MATERIALI - MATERIALS
① Corpo	① Body	UNI EN 12165 CW617N
② Manicotto	② End connection	UNI EN 12165 CW617N
③ Sfera	③ Ball	UNI EN 12165 CW617N
④ Sedi tenuta sfera	④ Ball seal	P.T.F.E.
⑤ Asta	⑤ Stem	UNI EN 12164 CW614N
⑥ Guarnizioni tenuta asta e rondella antifrizione	⑥ Stem packing and antifriction ring	P.T.F.E.
⑦ Leva alluminio Farfalla alluminio	⑦ Alu handle Butterfly handle	AL fire painted AL fire painted
⑧ Dado	⑧ Nut	Chrome plated Brass