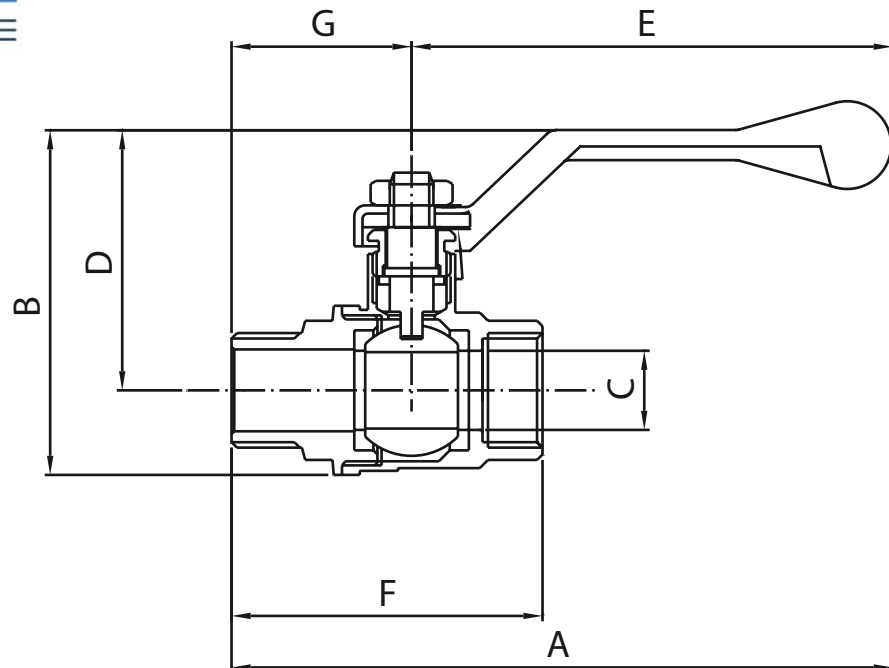


ART. COD. 370



	A	B	C	D	E	F	G
1/2"	117	58	14	43	85	57	34
3/4"	120	62	19	44	85	63	37
1"	135	75	24	53	96	72	41
1" 1/4	165	93	30	68	118	88	50
1" 1/2	186	110	40	80	132	98	56
2"	195	125	50	83	132	112	62

COMPONENTI	COMPONENTS	MATERIALI - MATERIALS
① Corpo	① Body	UNI EN 12165 CW617N
② Manicotto	② End connection	UNI EN 12165 CW617N
③ Sfera	③ Ball	UNI EN 12165 CW617N
④ Sedi tenuta sfera	④ Ball seal	P.T.F.E.
⑤ Asta	⑤ Stem	UNI EN 12164 CW614N
⑥ Guarnizioni tenuta asta e rondella antifrizione	⑥ Stem packing and antifriction ring	P.T.F.E.
⑦ Leva alluminio	⑦ Alu handle	AL fire painted
Farfalla alluminio	Butterfly handle	AL fire painted
⑧ Dado	⑧ Nut	Chrome plated Brass