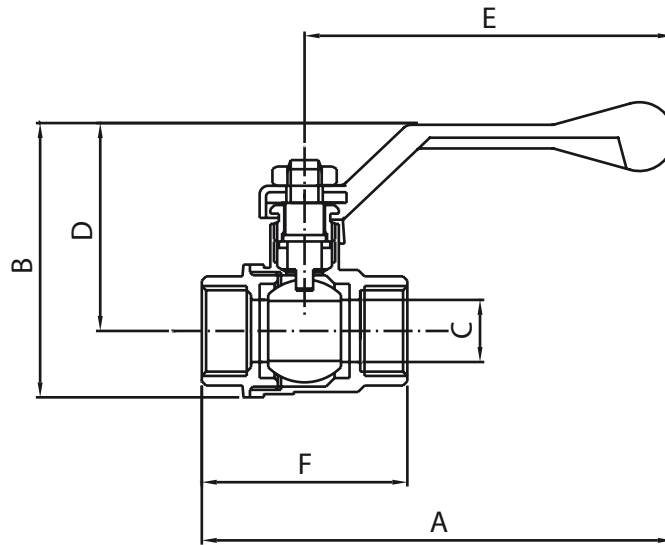


ART. COD. 369 FF



	A	B	C	D	E	F	G
1/2"	105	55	12	41	85	44	
3/4"	110	60	15	44	85	49	
1"	130	70	20	50	96	60	
1" 1/4	150	85	25	62	115	70	
1" 1/2	155	95	32	68	115	80	
2"	180	110	39	76	135	90	
2" 1/2	245	138	46	95	190	108	
3"	265	150	55	100	200	125	
4"	320	205	70	135	235	201	

COMPONENTI	COMPONENTS	MATERIALI - MATERIALS
① Corpo	① Body	UNI EN 12165 CW617N
② Manicotto	② End connection	UNI EN 12165 CW617N
③ Sfera	③ Ball	UNI EN 12165 CW617N
④ Sedi tenuta sfera	④ Ball seal	P.T.F.E.
⑤ Asta	⑤ Stem	UNI EN 12164 CW614N
⑥ O-Ring tenuta asta	⑥ Rod seal O-Ring	NBR 70 Sh A (ASTM D 2240)
⑦ Leva alluminio	⑦ Alu handle	AL fire painted
Farfalla alluminio	Butterfly handle	AL fire painted
⑧ Dado	⑧ Nut	Chrome plated Brass