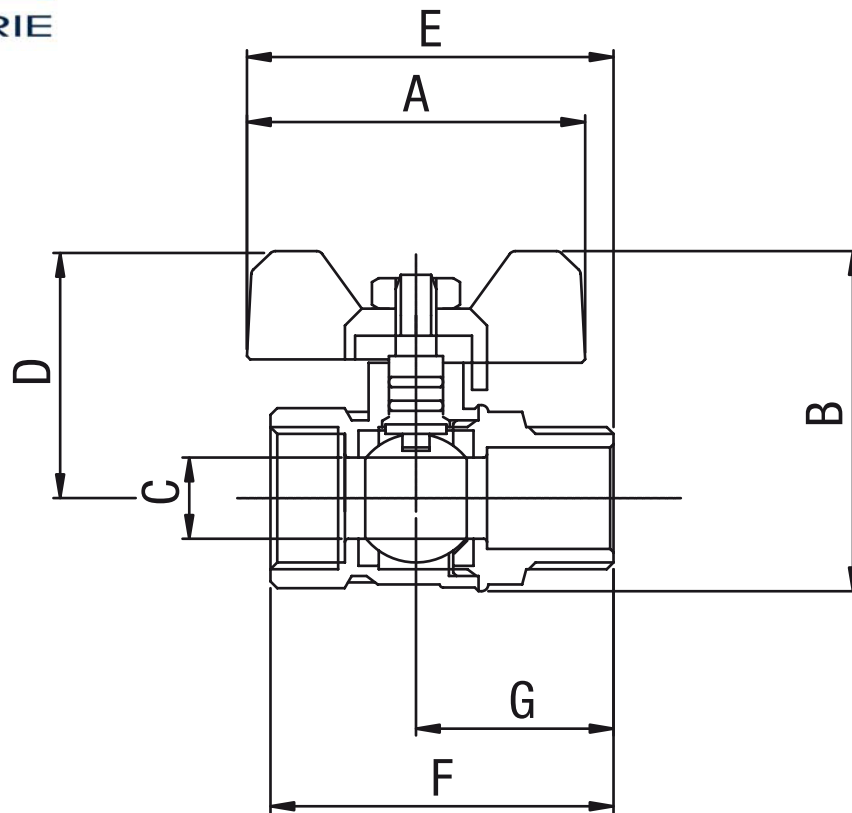


ART. COD. 363 MF



	A	B	C	D	E	F	G
1/2"	47	50	13,5	36	50	45	
3/4"	52	59	18	42	50	52	
1"	64	72	23	51	65	63	

COMPONENTI	COMPONENTS	MATERIALI - MATERIALS
① Corpo	① Body	UNI EN 12165 CW617N
② Manicotto	② End connection	UNI EN 12165 CW617N
③ Sfera	③ Ball	UNI EN 12165 CW617N
④ Sedi tenuta sfera	④ Ball seal	P.T.F.E.
⑤ Asta	⑤ Stem	UNI EN 12164 CW614N
⑥ O-Ring tenuta asta	⑥ Rod seal O-Ring	NBR 70 Sh A (ASTM D 2240)
⑦ Leva alluminio	⑦ Alu handle	AL fire painted
Farfalla alluminio	Butterfly handle	AL fire painted
⑧ Dado	⑧ Nut	Chrome plated Brass